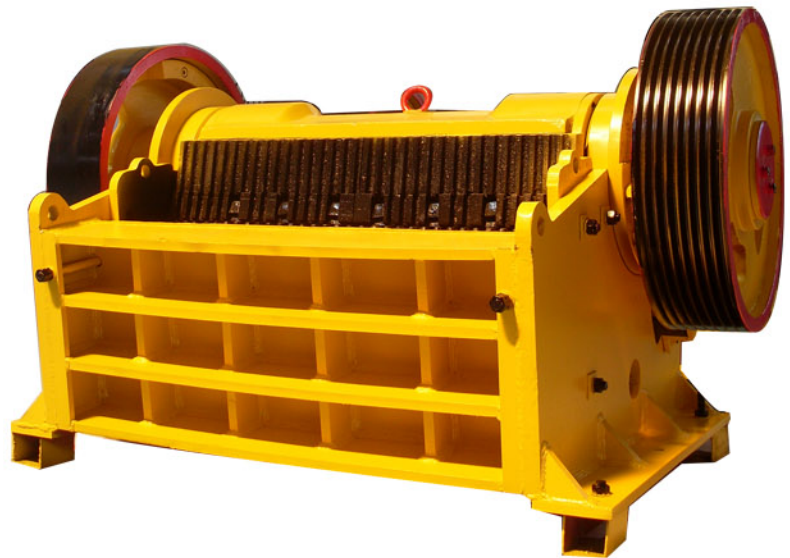


JC Series Jaw Crusher

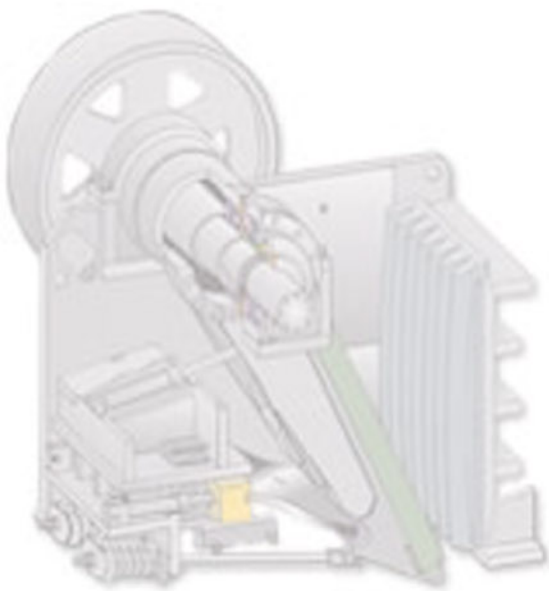
What we do today is to ensure the future of our
group with youth and spirit forever and ever.

- SBM



The most professional Jaw Crusher in China

Shanghai SBM Company is the leading manufacturer of stone & mineral processing equipment in the world. We've installed about thousands of crushing equipment all over the world since the end of the 20th century. Nowadays, JC series jaw crusher of European style adopted international advanced technology, considering crushing efficiently hard and abrasion proof stuff, it has uncontrovertibly become the most popular equipment in the world.



SBM JC Series Jaw Crusher Overview

Adopting the most advanced international crushing technology and manufacturing process, JC jaw crusher is the best choice to efficiently crush hard and highly corrosive materials at a low cost.

This series of jaw crusher is mainly used to crush mid hardness ores and rocks in metallurgical industry, mining, chemistry, cement making industry, construction, refractory, pottery and porcelain making for secondary and fine crushing. It is preferred to crush ores, rocks, slags, etc, whose compressive strength is under 280Mpa. Maximum size of feed materials must be less than what is required according to the specifications.

